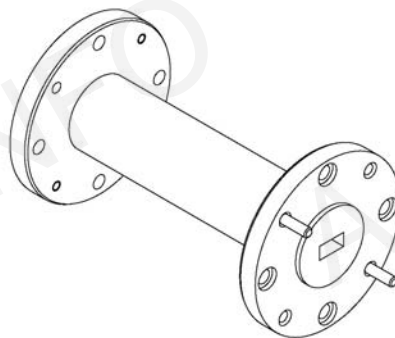
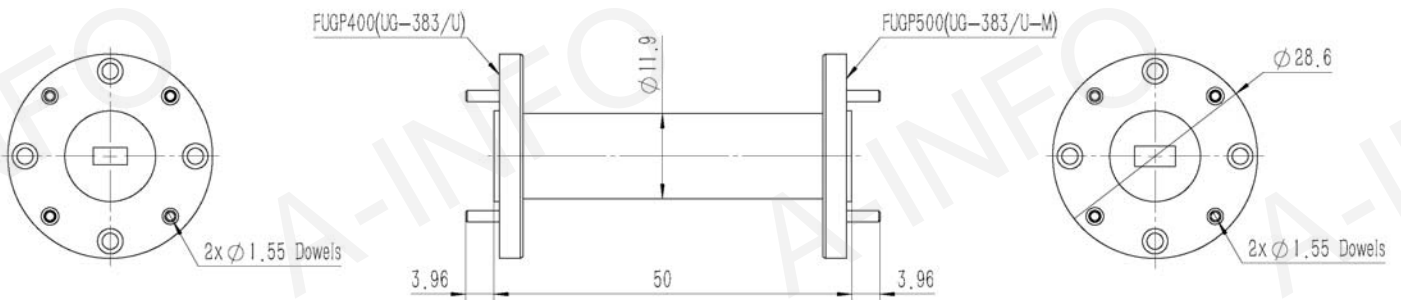


Technical Specification



EIA WR to WR	WR22 to WR19
Frequency Range(GHz)	40.0 - 50.0
Length(mm/inch)	50/2
Insertion Loss(dB)	0.2 Max.
VSWR	1.10:1 Max.
WR22 Flange	FUGP400(UG-383/U)
WR19 Flange	FUGP500(UG-383/U-M)
Material	Cu
Size(mm)	50 x 28.6 x 28.6
Net Weight(Kg)	0.04 Around

Outline Drawing (Size: mm)



AINFO Inc.

Page 1 of 3

China(Beijing):
China(Chengdu):
USA :

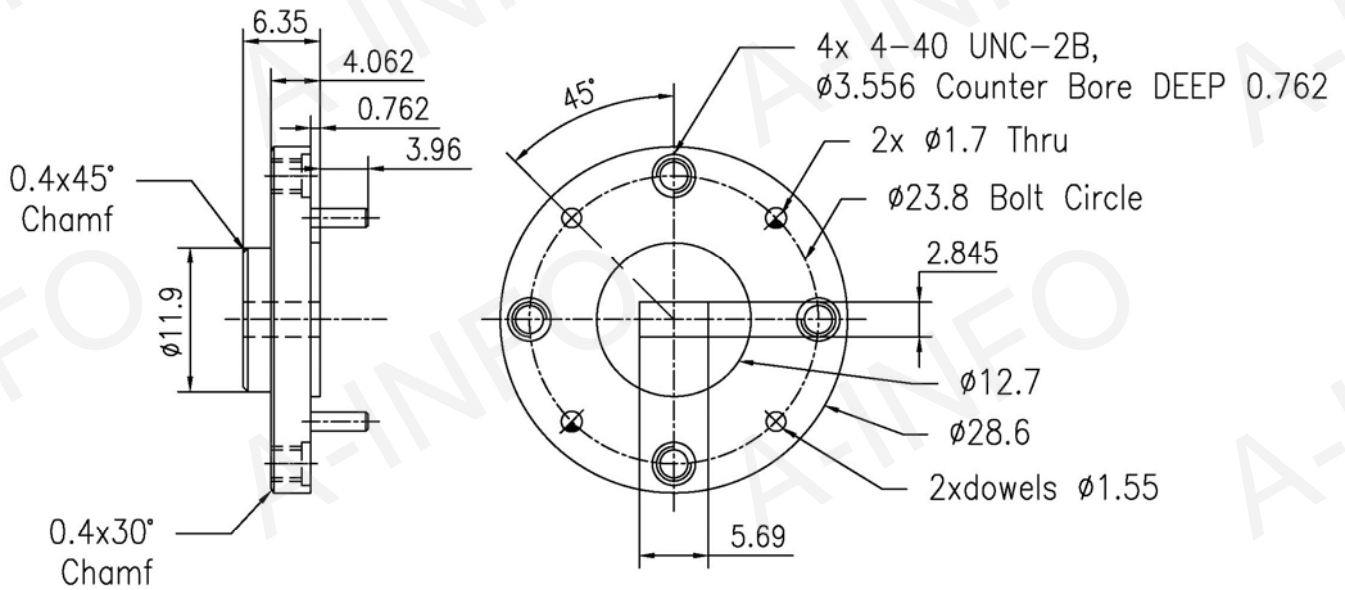
Tel: (+86) 10-6266-7326,
Tel: (+86) 28-8519-2786,
Tel: (+1) 949-639-9688,

(+86) 10-6266-7327
(+86) 28-8519-3044
(+1) 949-639-9608

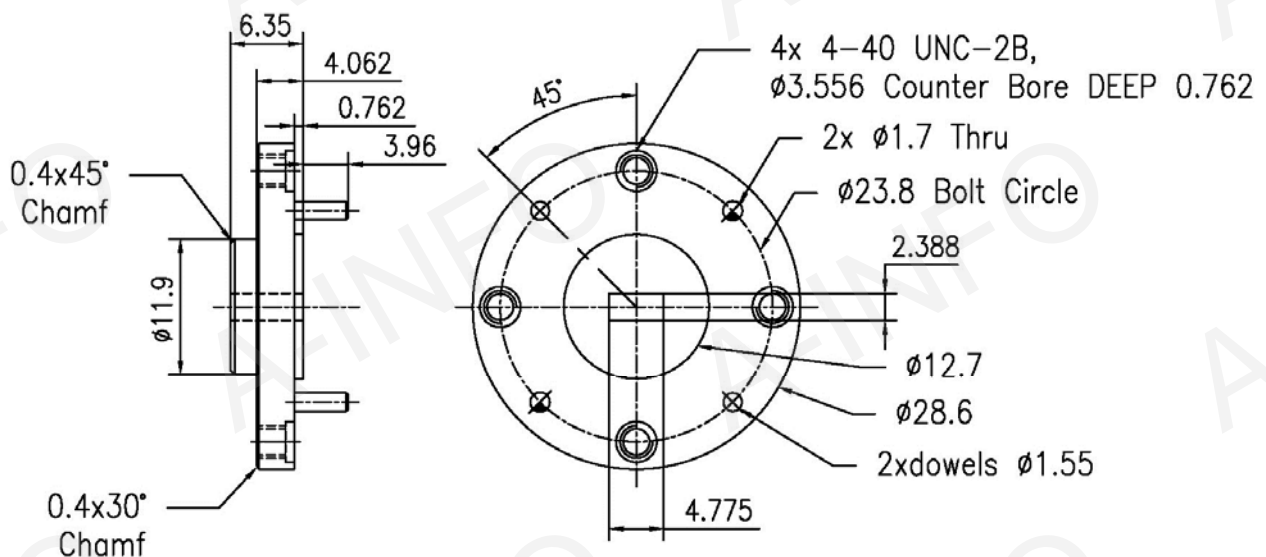
Fax: (+86) 10-6266-7379
Fax: (+86) 28-8519-3068
Fax: (+1) 949-639-9670

Website: www.ainfoinc.com
Email: sales@ainfoinc.com

Flange Outline Drawing (Size: mm)



FUGP400
(equivalent to UG-383/U)



FUGP500
(equivalent to UG-383/U-M)

AINFO Inc.

Page 2 of 3

China(Beijing):
China(Chengdu):
USA:

Tel: (+86) 10-6266-7326,
Tel: (+86) 28-8519-2786,
Tel: (+1) 949-639-9688,

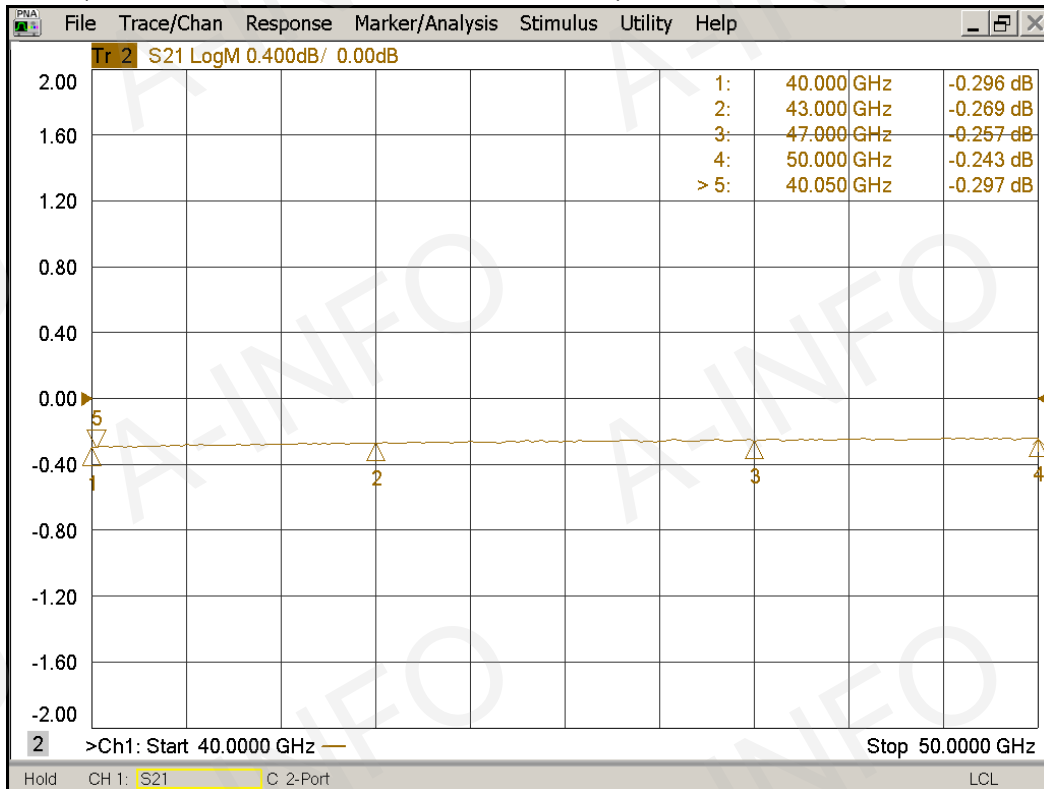
(+86) 10-6266-7327
(+86) 28-8519-3044
(+1) 949-639-9608

Fax: (+86) 10-6266-7379
Fax: (+86) 28-8519-3068
Fax: (+1) 949-639-9670

Website: www.ainfoinc.com
Email: sales@ainfoinc.com

Test Results

Insertion Loss (Test with two transitions back to back)



VSWR

